

Up/Downlight LED Wall Pack

Search Code: SC92718



FEATURES

- High Light Transmittance, Anti-UV and Fire Resistant PC Lens
- Die-Cast Aluminum With Powder Coat Finish (Dark Bronze)
- Multi CCT and Power (Switches are inside fixture)

ELECTRICAL

- Voltage: 120-277VAC 60Hz
- Power Factor: >0.95
- Efficacy: 145 LPW

MECHANICAL

- Die-Cast Aluminum With Powder Coat Finish
- DC Button Photocell with ON/OFF switch Included
- Integrated Uplight, Can be Controlled By The Internal Switch.
UP: 10% DOWN: 90%
- High Light Transmittance, Anti-UV and Fire Resistant
- Shatterproof PC Lens
- Operating Temperature: 0°F to 104°F
- Full Cutoff, Dark Sky Compliant
- IP 65, Wet Location
- 5-Year Warranty

LIGHTING

- Dimming: 0~10V Dimmable
- Multi CCT and Power (Switches are inside fixture)
- The Type III Distribution Is Used for Wide Walkways, on Ramps and Entrance Roadways, As Well As Other Long, Narrow Lighting
- Color Temperatures: 3000K/4000K/5000K
- Color Rendering Index: CRI ≥ 80
- Rated Life: 50,000 Hrs



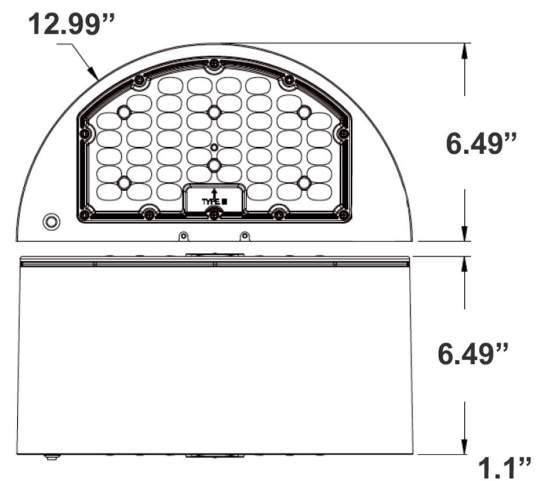
WARRANTY & LISTINGS

- Warranty: 5 years. DLC Listed.

APPLICATIONS

- LED Wall Pack Light series can be widely used as exterior or interior applications such as: Hotels, Garages, Commercial Buildings, Public areas, Schools and Hospitals, etc.

DIMENSIONS



12.99" (W) x 6.49" (H) x 6.49" (D)

SPECIFICATIONS TABLE

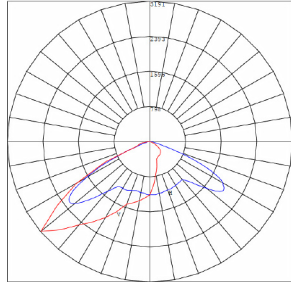
Model No	Wattage	Voltage	Lumens	Color Temperature	LPW
FCWPC-40W-MCTP-BK	40W, 32W, 24W	120~277V	3480LM, 4640LM, 5800LM	30K, 40K, 50K	145
FCWPC-40W-MCTP-BR	40W, 32W, 24W	120~277V	3480LM, 4640LM, 5800LM	30K, 40K, 50K	145
FCWPC-40W-MCTP-SIL	40W, 32W, 24W	120~277V	3480LM, 4640LM, 5800LM	30K, 40K, 50K	145
FCWPC-40W-MCTP-WH	40W, 32W, 24W	120~277V	3480LM, 4640LM, 5800LM	30K, 40K, 50K	145
FCWPC-80W-MCTP-WH	80W/64W/48W	120~277V	6960LM, 9280LM, 11600LM	30K, 40K, 50K	145
FCWPC-80W-MCTP-SIL	80W/64W/48W	120~277V	6960LM, 9280LM, 11600LM	30K, 40K, 50K	145
FCWPC-80W-MCTP-BR	80W/64W/48W	120~277V	6960LM, 9280LM, 11600LM	30K, 40K, 50K	145
FCWPC-80W-MCTP-BK	80W/64W/48W	120~277V	6960LM, 9280LM, 11600LM	30K, 40K, 50K	K

Up/Downlight LED Wall Pack

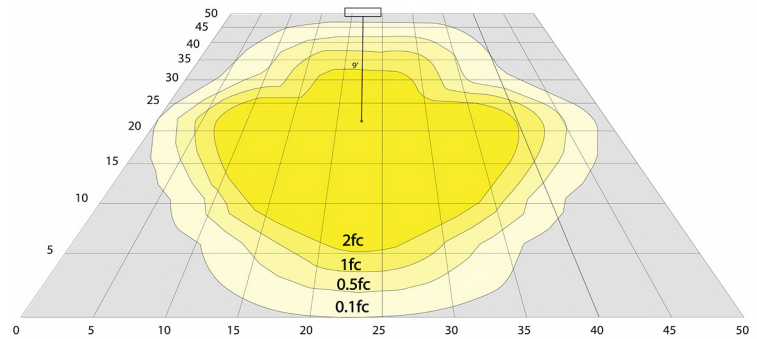
Search Code: SC92718



PHOTOMETRICS



BUD Rating: B0-U0-G1

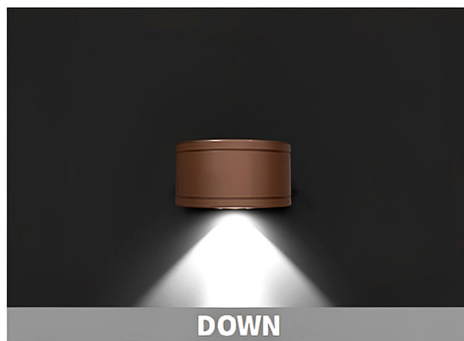


Area 45'x 50' Mounting Height: 9'

OTHER VIEWS



10% UPLIGHT AND 90% DOWNLIGHT.
CAN BE CONTROLLED BY THE INTERNAL SWITCH



DOWN



FULL